
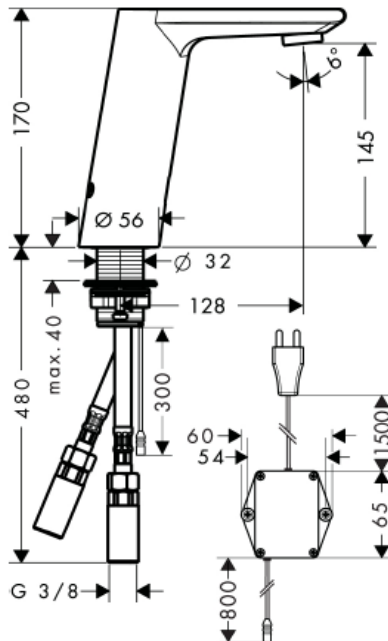


SPECIFICATION SHEET - fittings

BRAND:	hansgrohe	Product Photo: 
ORIGIN:	Germany	
SERIES:	Metris S	
PRODUCT DESCRIPTION:	Infra-red sensor basin tap theft-proof QucikClean aerator manual flow stop for cleaning temperature pre-adjusted 6V battery <ul style="list-style-type: none"> • Flow rate: 5 l./min. at 3 bar • Flow pressure; 1~5 bar (15~70 psi) • ComfortZone 150 	
MODEL No.	31103 000	
FINISH/COLOUR:	Chrome-plated	
DIMENSIONS:	170mm height 128mm spout projection	
OPTIONAL MATCHING PARTS:	1x Angle valve 1/2"x3/8" basin waste pop-up basin waste trap	

Technical Informations: Suitable for continous flow water heater



REMINDER: Pipe flushing must be done before faucets are installed. Failure to do so voids the warranty.

Do not use cleaners containing abrasive cleansers, ammonia, bleach, acids, waxes, alcohol, solvents or other products not recommended for chrome.

All information is for reference only, installation shall always be based on the actual product delivered.